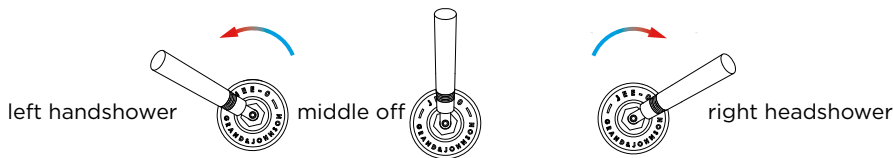
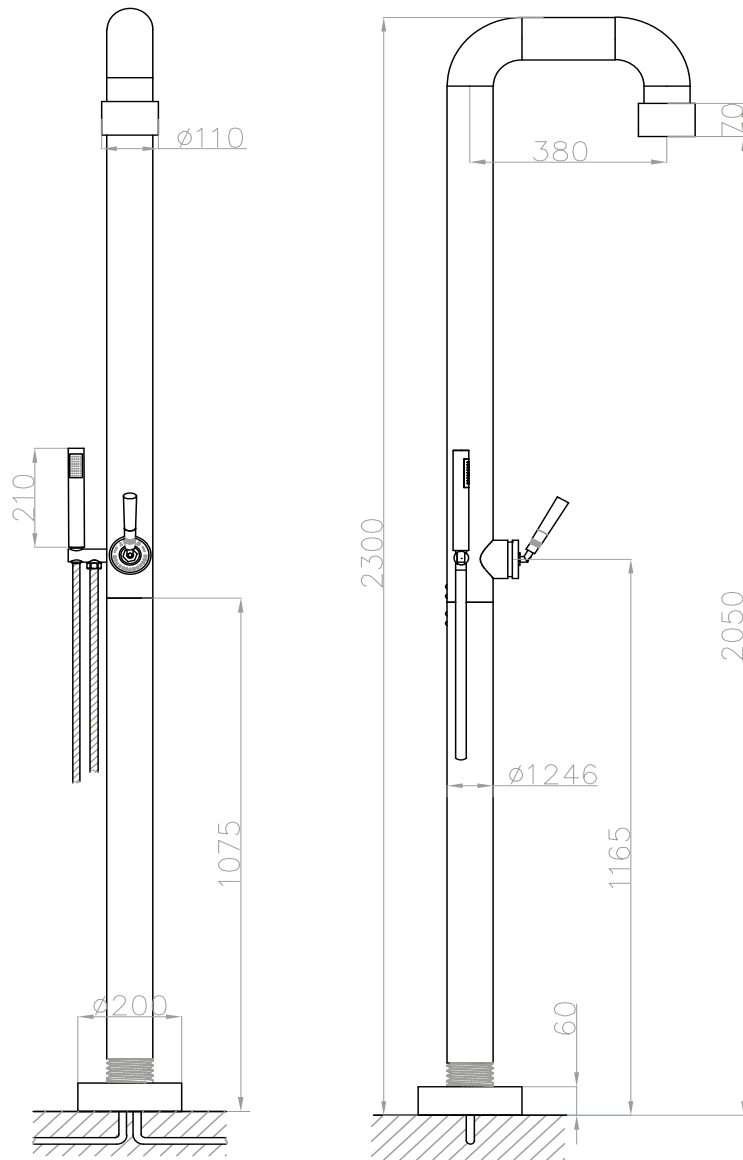




JEE-O soho shower 02



Article code:	700-6210 ● RAW 700-6212 ● 1.5 Electro powder spray hammercoated black	Connection:	2 x G 1/2" (ø15mm / 0.6") nylon ^(out) /epdm ⁽ⁱⁿ⁾ flexhose with brass swivel British Standard Pipe (BSP)
Material:	Stainless Steel r304	Thread:	
Cleaning instructions:	download JEE-O shower and taps manual on our website: www.jee-o.com	Dimension package:	L 150 x W 58 x H 20 cm
Cartridge:	Kerox ceramic mixing mechanism (progressive), item code 005-0203	Total weight:	19.4 kg
Interchangeable shower head	ø89mm/78 nozzles, item code 701-6120	Package weight:	3.6 kg
Flow ^{at water of 38°C:}	10l p/m at 3bar pressure	Placing on a water-tight floor	
Pressure:	Recommended working pressure 3Bar	7 year warranty - The general conditions can be found on our website: www.jee-o.com/downloads	
Flexhose:	150 cm length	HS code:	84818011
		Approvals:	SLS BS EN 817, SS 375, AS/NZS 4020, BS EN

